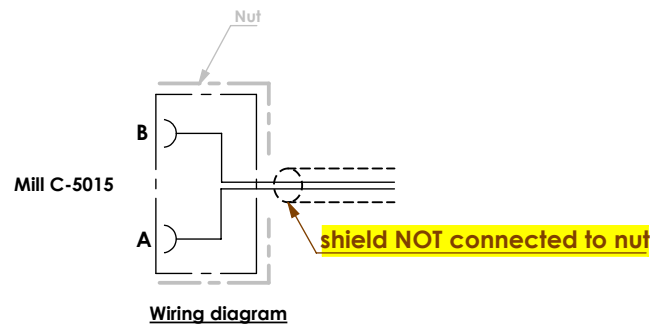
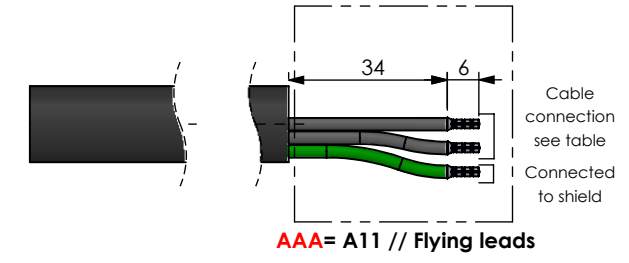
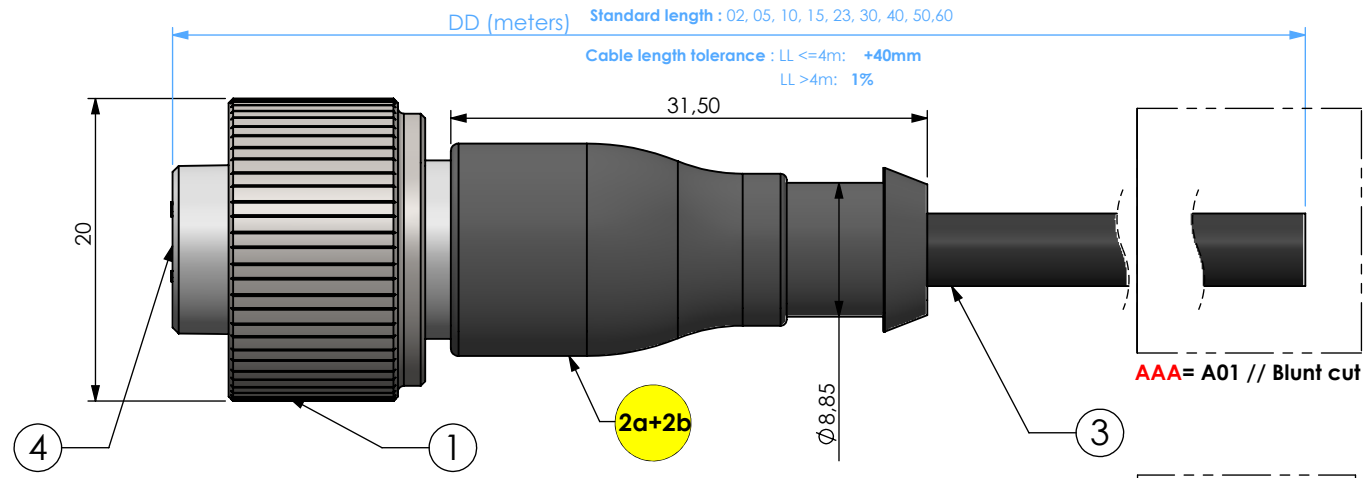
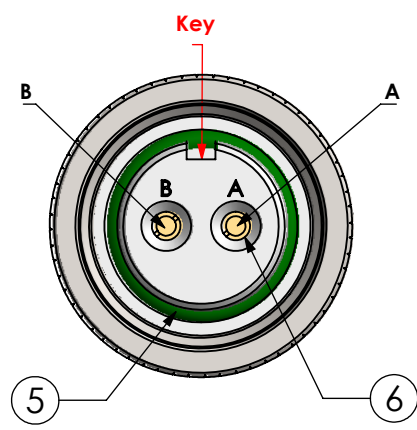


Rev	Date	Description	ECO	Drawn.	App.
A	03/12/2019	Released	XXXX	T.P.	A.B.



Item N°	Description	Material	Temp (°C)
1	Nut	Stainless steel AISI 316L, V4A	
2a	Overmold for cable CC=01	TPU, UL 94 , black	max 90°C
2b	Overmold for cable CC=02,03	Polypropylene, UL 94 , black	max 120°
3	Cable	See cable table	
4	contact carrier 2-pin	Polyamide 6.6 30% GLASS FILLED	max 120°C
5	O-ring	FPM	max 120°C
6	Signal contact	CuZn - Gold 1.27um, MIL approved contact	

**VibraSens** Size: A4H Rev:A  
 FSCM :- - - -

**MILC 5015 overmolded female connector**  
 - Stainless steel nut // 2 pins // Shield not connected

PNR, Drawing N° 10.01-AAA-B22-CC-DD-(EE) Scale 2:1 Sheet 1/1



This drawing is confidential and is the property of Vibrasens. Reproduction or manufacturing rights granted by written permission only.

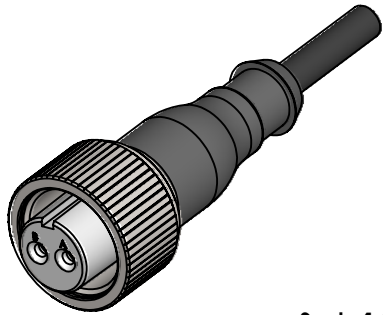
1

2

3

4

Rev	Date	Description	ECO	Drawn.	App.
A	XX/XX/XXXX	Released	XXXX	T.P.	A.B



Scale 1:1

**Technical specification:**

- IP rating :	for <b>CC = 01:</b>	IP67
	for <b>CC = 02, 03:</b>	IP65
- Temperature range :	for <b>CC = 01:</b>	-30 to + 90°C
	for <b>CC = 02, 03:</b>	-30 to + 120°C
-Current rating :		4 A at 40°C
-Mating cycle :		>=500

**Installation specification:**

- Recommended torque : 0.6Nm

CC	(EE) <sup>(1)</sup>	Cable	Contact assignment	Rated voltage	Applications
01		- Polyuréthane cable, black // Twisted pair shielded // Max temp = 90° // Ø4.8 (± 0.2mm) // 2x 0.5mm <sup>2</sup>	A: White (-) B: Red (+)	160V AC	- VibraSens IEPE sensors (without T0 option) - VibraSens 4-20 mA sensors (without DA/DV/T0 option)
02		- Teflon FEP cable, yellow // Twisted pair shielded // Max temp = 180° // Ø 4.7 (± 0.2mm) // 2x 0.6mm <sup>2</sup>	A: White (-) B: Red (+)	600V AC	
03		- @RADOX (2) cable // Twisted pair shielded // Max temp = 120° // Ø4.3 (± 0.2mm) // Halogen Free (3) // Flame retardant // 2x 0.5mm <sup>2</sup>	A: White (2)(+) B: White (1) (-)	600 to 1000V AC	
07		- Polyuréthane cable, black // UL certified (4) // Flame retardant (5) // Twisted pair shielded // Max temp = 90° // Ø4.1 (± 0.2mm) // 2x 0.5mm <sup>2</sup>	A: Brown(+) B: Black (-)	600V AC	

(1) : For customer with special specifications

(2) : @RADOX is a trademark from Huber &amp; Suhner

(3) : "Halogen Free" according to IEC 61249-2-21 standard

(4) : UL certified according to UL-Style 21223/11028

(5) : Flame retardant according to IEC 60332-1-2 standard

	Size: A4H	Rev:A
	FSCM :- - - -	

**MILC 5015 overmolded female connector**  
- Stainless steel nut // 2 pins // Shield not connected

PNR, Drawing N°	Scale	Sheet
<b>10.01-AAA-B22 -CC-DD-(EE)</b>	1:1	1/1



This drawing is confidential and is the property of Vibrasens. Reproduction or manufacturing rights granted by written permission only.

1

2

3

4