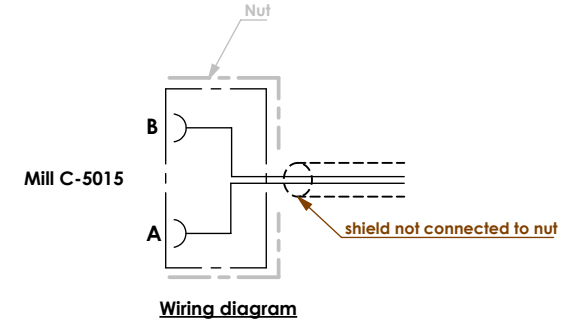
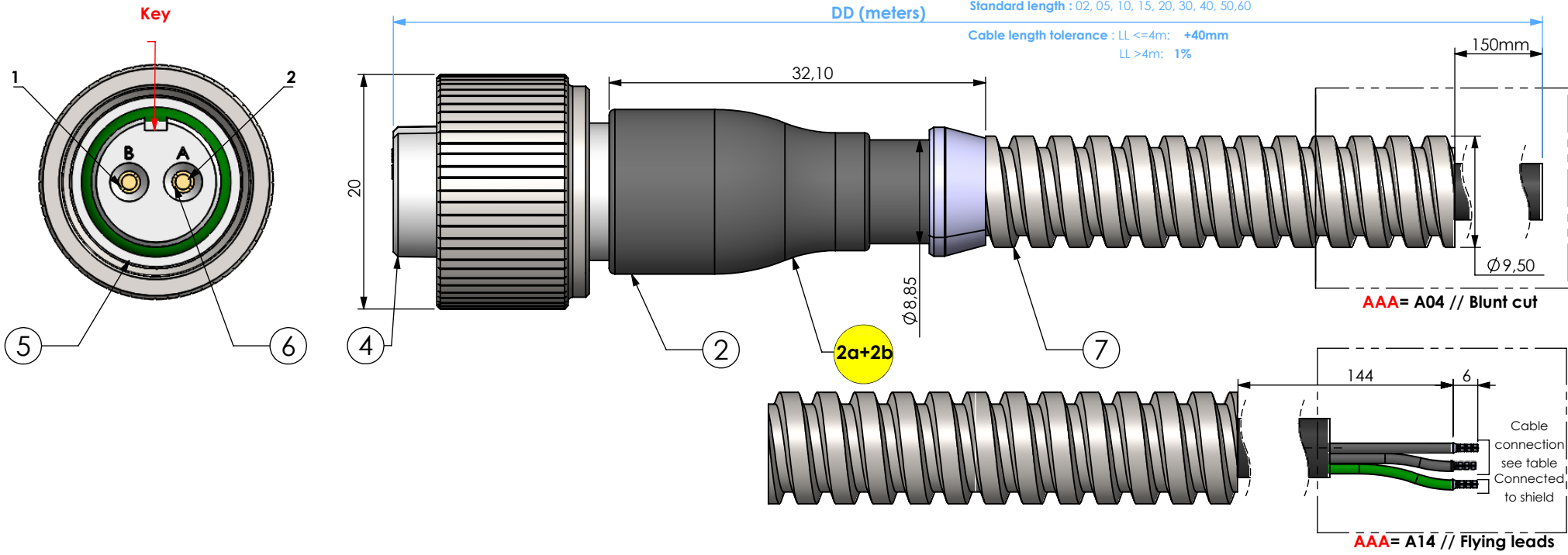


Rev	Date	Description	ECO	Drawn.	App.
A	03/12/2019	Released	XXXX	T.P.	A.B.



Item N°	Description	Material	Temp (°C)
1	Nut	Stainless steel AISI 316L, V4A	
2a	IP67 Overmold for cable CC=01	TPU, UL 94 , black	max 90°C
2b	IP65 Overmold for cable CC=02,03	Polypropylene, UL 94 , black	max 120°
3	Cable	See cable table	
4	contact carrier 4-pin	PA 66 30% GLASS FILLED	max 90°C
5	O-ring	FPM	max 120°C
6	Signal contact	Cu-Zn, Gold Flash	
7	Conduit	Stainless steel AISI 304	

VibraSens Size: A4H Rev:A
 FSCM :- - - -

MILC 5015 overmolded female connector
 - Stainless steel nut // 2 pins // Stainless steel conduit

PNR, Drawing N° Scale Sheet
10.01-AAA-B24 -CC-DD-(EE) 2:1 1/1



This drawing is confidential and is the property of Vibrasens. Reproduction or manufacturing rights granted by written permission only.

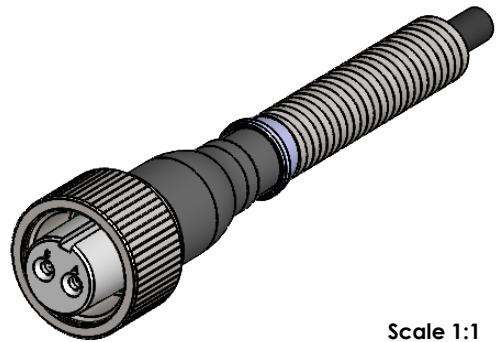
1

2

3

4

Rev	Date	Description	ECO	Drawn.	App.
A	XX/XX/XXXX	Released	XXXX	T.P.	A.B



Scale 1:1

Technical specification:

- IP rating : for CC = 01: IP67
for CC = 02, 03: IP64
- Temperature range : for CC = 01: -30 to + 90°C
for CC = 02, 03: -30 to + 120°C
- Current rating : 4 A at 40°C
- Mating cycle : >=500

Installation specification:

- Recommended torque : 0.6Nm

CC	(EE) ⁽¹⁾	Cable	Contact assignment	Rated voltage	Applications
01		- Polyuréthane cable, black // Twisted pair shielded // Max temp = 90° // Ø4.8 (± 0.2mm) // 2x 0.5mm ²	1: Red (+) 2: White (-)	160V AC	- VibraSens IEPE sensors (without T0 option) - VibraSens 4-20 mA sensors (without DA/DV/T0 option)
02		- Teflon FEP cable, yellow // Twisted pair shielded // Max temp = 180° // Ø 4.7 (± 0.2mm) // 2x 0.6mm ²	1: Red (+) 2: White (-)	600V AC	
03		- @RADOX (2) cable // Twisted pair shielded // Max temp = 120° // Ø4.3 (± 0.2mm) // Halogen Free (3) // Flame retardant // 2x 0.5mm ²	1: White (1) (-) 2: White (2)(+)	600 to 1000V AC	

(1) : For customer with special specifications
 (2) : @RADOX is a trademark from Huber & Suhner
 (3) : "Halogen Free" according to IEC 61249-2-21standard

	Size: A4H	Rev:A
	FSCM :- - - -	
MILC 5015 overmolded female connector - Stainless steel nut // 2 pins // Stainless steel conduit		
PNR, Drawing N° 10.01-AAA-B24 -CC-DD-(EE)	Scale 1:1	Sheet 1/1



This drawing is confidential and is the property of Vibrasens. Reproduction or manufacturing rights granted by written permission only.

1

2

3

4