

1

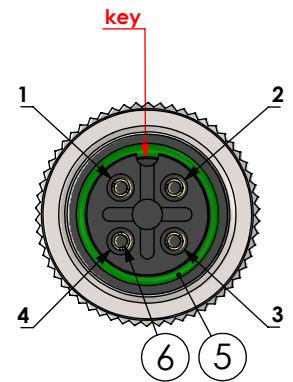
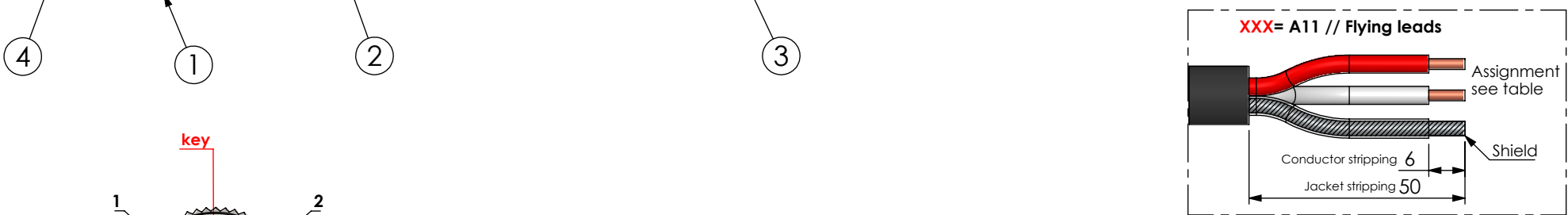
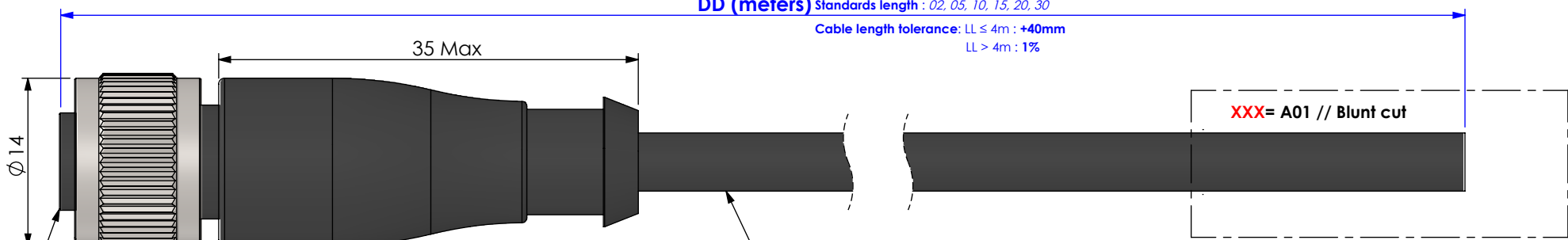
2

3

4

Rev	Date	Description	ECO	Drawn.	App.
A	30/03/2022	Released	XXXX	K.N.	A.B.

DD (meters) Standards length : 02, 05, 10, 15, 20, 30
 Cable length tolerance: LL ≤ 4m : +40mm
 LL > 4m : 1%

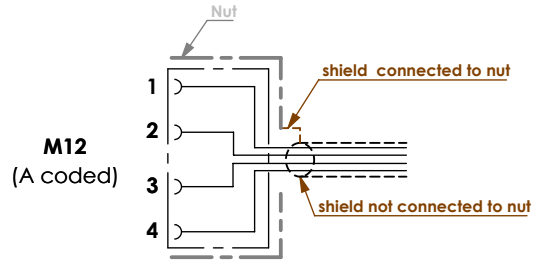


Item N°	Description	Material	Temp (°C)
1	Nut, M12 X 1	Stainless steel AISI 316L, V4A	
2	IP67 Overmold	TPU, UL94 , black	max 90°C
3	Cable	See table	
4	contact carrier 2-pin	PA66 30% Glass filled	120°C
5	O-ring	Neoprene (CR)	120°C
6	Signal contact	Cu-Zn, Gold Flash	

Technical specification:

- Connector : M12 Female A coded
- IP rating : IP67
- Temperature range : -30 to + 90°C
- Current rating : 4 A at 40°C
- Testing voltage : core/core : 2 kV AC
core/ braid : 1.5 kV AC
- Mating cycle : ≥ 500
- Mounting torque : 0.6 N.m
- Weight : ≈ 35 kg/km

Wiring diagram



VibraSens Size: A4H Rev:A
 FSCM :- - - -

Overmolded M12 Female A coded cable - 4 pins // shield connected or not

PNR, Drawing N° 20.01-XXX_5(C-C-DD)_XXXXXX(EE) Scale 2:1 Sheet 1/4

ROHS REACH CE
 This drawing is confidential and is the property of Vibrasens. Reproduction or manufacturing rights granted by written permission only.

1

2

3

4

	1	2	3	4					
	XXX	Shield connected to nut	5(CC-DD)	Cable	Contact assignment	Applications	Popular	(EE)***	
A	II1	✓	5(01-DD)	- Polyurethane cable // Twisted pair shielded // Max temp = 90°C // Ø4.8 (± 0.2mm) // 2x 0.5mm ²	1: No wire 3: White (-)	2: No wire 4: Red (+)	VibraSens IEPE sensors	✓	
	II2				✓				
	AA1	✓			✓				
	AA2				✓				
	II1	✓	5(02-DD)	-Teflon FEP cable//Twisted pair shielded// max temp = 200°C// Ø4.7 (± 0.2mm) // 2x 0.5mm ²	1: No wire 3: White (-)	2: No wire 4: Red (+)	VibraSens IEPE sensors		
	II2								
	AA1	✓			1: Red (+)	2: White (-)	VibraSens 4-20 mA sensors		
	AA2				3: No wire	4: No wire			
B	IJ1	✓	5(03-DD)	- @RADOX * cable // Twisted pair shielded // Max temp = 120° C// Ø4.3 (± 0.2mm) // Halogen Free **// Flame retardant//2x 0.5mm ²	1: No wire 3: White (1) (-)	2: No wire 4: White (2) (+)	VibraSens IEPE sensors		
	IJ2								
	AB1	✓			1: White (1) (+)	2: White (2) (-)	VibraSens 4-20 mA sensors		
	AB2		3: No wire	4: No wire					
	IK1	✓	5(07-DD)	- PVC cable // ATEX application // Flame retardant acc. to IEC 60332-1-2 Max temp = 80° //Blue RAL 5015 // Ø5.1 (± 0.1mm)	1: No wire 3: Black (1) (-)	2: No wire 4: Black (2) (+)	VibraSens IEPE sensors	✓	
	IK2								
AC1	✓	1: Black (1) (+)			2: Black (2) (-)	VibraSens 4-20 mA sensors	✓		
AC2		3: No wire			4: No wire		✓		
C	IT1	✓	5(11-DD)	- Polyurethane cable // Twisted triple shielded // Max temp = 90°C // Ø4.2 (± 0.2mm) // 3x 0.5mm ²	1: No wire 3: White (-)	2: Black (temp) 4: Red (+)	VibraSens IEPE + temperature sensors		
	IT2								
	AD1	✓			1: Red (+)	2: White (-)	VibraSens 4-20 mA + DA / DV sensors		
	AD2		3: No wire	4: Black (DA/DV)					
	IT1	✓	5(17-DD)	- UL Polyurethane cable // Twisted triple shielded // Max temp = 90°C // Ø2.5 (± 0.1mm) // 3x AWG28	1: No wire 3: Blue (-)	2: Brown (temp) 4: Black (+)	VibraSens IEPE + temperature sensors		
	IT2								
	AD1	✓			1: Black (+)	2: Blue (-)	VibraSens 4-20 mA + DA / DV sensors		
	AD2		3: No wire	4: Brown (DA/DV)					
	IT1	✓	5(12-DD)	-Teflon FEP cable//Twisted triple shielded// max temp = 200°C// Ø4.7 (± 0.2mm) // 3x 0.5mm ²	1: No wire 3: White (-)	2: Black (temp) 4: Red (+)	VibraSens IEPE + temperature sensors		
	IT2								
	AD1	✓			1: Red (+)	2: White (-)	VibraSens 4-20 mA + DA / DV sensors		
	AD2		3: No wire	4: Black (DA/DV)					
IU1	✓	5(13-DD)	- @RADOX * cable // Twisted triple shielded // Max temp = 120° C// Ø4.3 (± 0.2mm) // Halogen Free **// Flame retardant//3x 0.5mm ²	1: No wire 3: White (1) (-)	2: White (3) (temp) 4: White (2) (+)	VibraSens IEPE + temperature sensors			
IU2									
AE1	✓			1: White (1) (+)	2: White (2) (-)	VibraSens 4-20 mA + DA / DV sensors			
AE2				3: No wire	4: White (3) (DA/DV)				
E01	✓	5(31-DD)	- Polyurethane cable // shielded 4 conductors // Max temp = 90°C // Ø5.4 (± 0.2mm) // 4x 0.34mm ²	1: Brown	2: White	All applications	✓		
E02				3: Blue	4: Black		✓		

* : @RADOX is a trademark from Huber & Suhner
 ** : "Halogen Free" according to IEC 61249-2-21standard
 *** : For customer with special specifications

Compatibility with old reference :
 10.01-A01-E01-31-DD = 20.01-E01_5(31-DD)_A01
 10.01-A01-E02-31-DD = 20.01-E02_5(31-DD)_A01

VibraSens	Size: A4H	Rev:A
	FSCM :-:-:-	
PNR, Drawing N° 20.01-XXX 5(CC-DD)_XXXXXX(EE)		Scale Sheet 2:1 2/4

This drawing is confidential and is the property of VibraSens. Reproduction or manufacturing rights granted by written permission only.

1

2

3

4

A

A

BBB	Shield connected to nut	5(CC-DD)	Cable	Contact assignment	Applications	Popular	(EE)***
IP1	✓	5(51-DD)	- RG 174 cable // Coaxial // PVC // Max temp =80°C // Ø2.6 (± 0.1mm)	1: No wire 3: Shield (-)	2: No wire 4: Conductor(+)	VibraSens IEPE sensors	
IP2				1: Conductor (+) 3: No wire	2: Shield (-) 4: No wire		
AH1	✓						
AH2							
IP1	✓	5(52-DD)	- RG 58 Cable // Coaxial // PVC // Max temp =80°C // Ø4.95 (± 0.1mm) //	1: No wire 3: Shield (-)	2: No wire 4: Conductor(+)	VibraSens IEPE sensors	
IP2				1: Conductor (+) 3: No wire	2: Shield (-) 4: No wire		
AH1	✓						
AH2							
IP1	✓	5(56-DD)	- @RADOX * cable // Coaxial // Max temp =105°C // Ø1.84 (± 0.07mm) // Halogen free // Flame retardant //	1: No wire 3: Shield (-)	2: No wire 4: Conductor(+)	VibraSens IEPE sensors	
IP2				1: Conductor (+) 3: No wire	2: Shield (-) 4: No wire		
AH1	✓						
AH2							

B

B

C

C

D


D

* :@RADOX is a trademark from Huber & Suhner
 ** : "Halogen Free" according to IEC 61249-2-21standard
 *** : For customer with special specifications

This drawing is confidential and is the property of Vibrasens. Reproduction or manufacturing rights granted by written permission only.

VibraSens

Size: A4H Rev:A

FSCM :- - - - 

PNR, Drawing N°
 20.01-XXX_5(CC-DD)_XXXXXX(EE)

Scale Sheet
 2:1 3/4

1

2

3

4

1

2

3

4

A

A

B

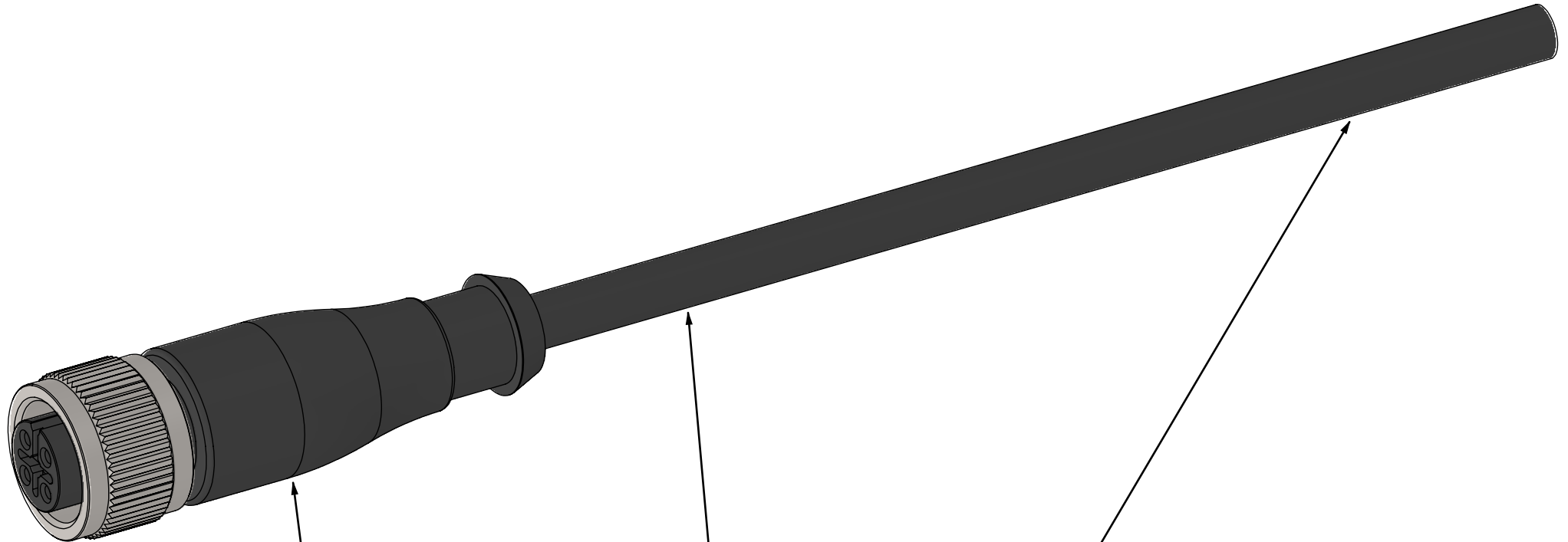
B

C

C

D

D



Cable end 1

20.01 - XXX

Cable

5(CC - DD)
Length

Cable end 2

XXXXXX - (EE)
Customer modification

VibraSens	Size: A4H	Rev:A
	FSCM :----	
PNR, Drawing N° 20.01-XXX_5(CC-DD)_XXXXXX(EE)		Scale 2:1
		Sheet 4/4

This drawing is confidential and is the property of VibraSens. Reproduction or manufacturing rights granted by written permission only.

1

2

3

4