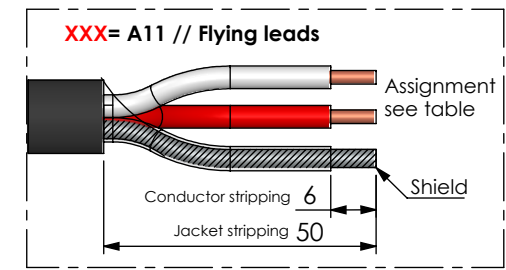
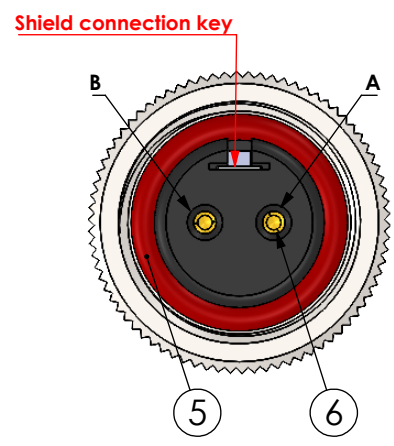
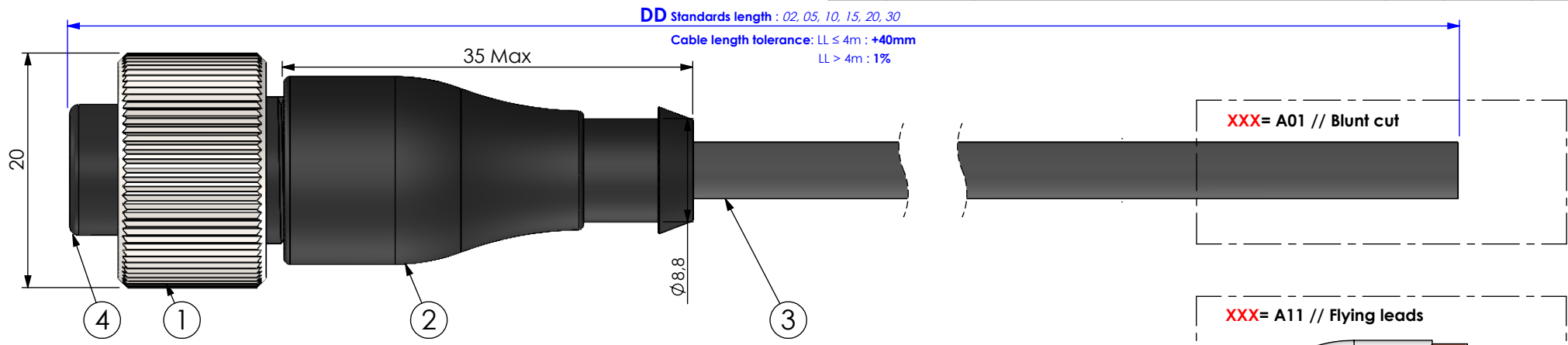


Rev	Date	Description	ECO	Drawn.	App.
A	31/03/2022	Released	XXXX	K.N.	A.B.

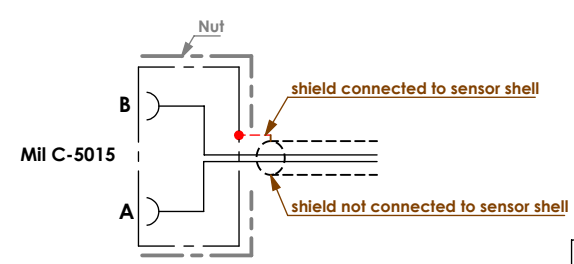


Item N°	Description	Material	Temp (°C)
1	Nut	STAINLESS STEEL AISI 316L, V4A	
2	IP67 Overmold	TPU, UL94 , black	max 90°C
3	Cable		See table
4	contact carrier 2-pin	PA66 30% GLASS FILLED	120°C
5	O-ring	Neoprene (CR)	120°C
6	Signal contact	Cu-Zn, Gold Flash	

Technical specification:

- Connector : MIL C 5015 10SL-4S
- IP rating : IP67
- Temperature range : -30 to + 90°C
- Current rating : 4 A at 40°C
- Testing voltage : core/core : 2 kV AC, core/ braid : 1.5 kV AC
- Mating cycle : ≥ 500
- Mounting torque : 0.6 N.m
- Weight : ≈ 40 kg/km

Wiring diagram



ROHS REACH CE
This drawing is confidential and is the property of Vibrasens. Reproduction or manufacturing rights granted by written permission only.

	Size: A4H	Rev:A
	FSCM : - - - -	
Overmolded MIL-C-5015 10SL-4S cable - 2 pins// shield connected or not		
PNR, Drawing N°	Scale	Sheet
30.01-XXX-5(C:C-DD)-XXXXXX(EE)	2:1	1/3

1

2

3

4

A

A

XXX	Shield connected to sensor shell	5(CC-DD)	Cable	Contact assignment	Applications	Popular	(EE)***
II1	✓	5(01-DD)	- Polyurethane cable // Twisted pair shielded // Max temp = 90° // Ø4.8 (± 0.2mm) // 2x 0.5mm ²	A: Red (+) B: White (-)	VibraSens IEPE & 4-20 mA sensors		
II2						✓	
II1	✓	5(02-DD)	-Teflon FEP cable//Twisted pair shielded// max temp = 200°// Ø4.7 (± 0.2mm) // 2x 0.5mm ²	A: Red (+) B: White (-)	VibraSens IEPE & 4-20 mA sensors		
II2							
IJ1	✓	5(03-DD)	-®RADOX * cable // Twisted pair shielded // Max temp = 120° // Ø4.3 (± 0.2mm) // Halogen Free **// Flame retardant//2x 0.5mm ²	A: White (2) (+) B: White (1) (-)	VibraSens IEPE & 4-20 mA sensors		
IJ2							
IK1	✓	5(07-DD)	- PVC cable // ATEX application // Flame retardant acc. to IEC 60332-1-2 Max temp = 80° //Blue RAL 5015 // Ø5.1 (± 0.1mm)	A: Black (2) (+) B: Black (1) (-)	VibraSens IEPE & 4-20 mA sensors		
IK2							
IP2		5(51-DD)	- PVC cable // Coaxial // Max temp = 80° // Ø2.6 (± 0.1mm)	A: Conductor (+) B: Shield (-)	VibraSens IEPE & 4-20 mA sensors		

B

B

C

C

D

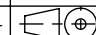
D

* : ®RADOX is a trademark from Huber & Suhner
 ** : "Halogen Free" according to IEC 61249-2-21standard
 *** : For customer with special specifications

Compatibility with old reference :
 10.01-A01-B22-06-DD = 30.01-II2-5(06-DD)-A01

VibraSens

Size: A4H Rev:A

 FSCM :-:-: 

This drawing is confidential and is the property of Vibrasens. Reproduction or manufacturing rights granted by written permission only.

 PNR, Drawing N°
 30.01-XXX-5(CC-DD)-XXXXXX(EE)

Scale 2:1 Sheet 2/3

1

2

3

4

1

2

3

4

A

A

B

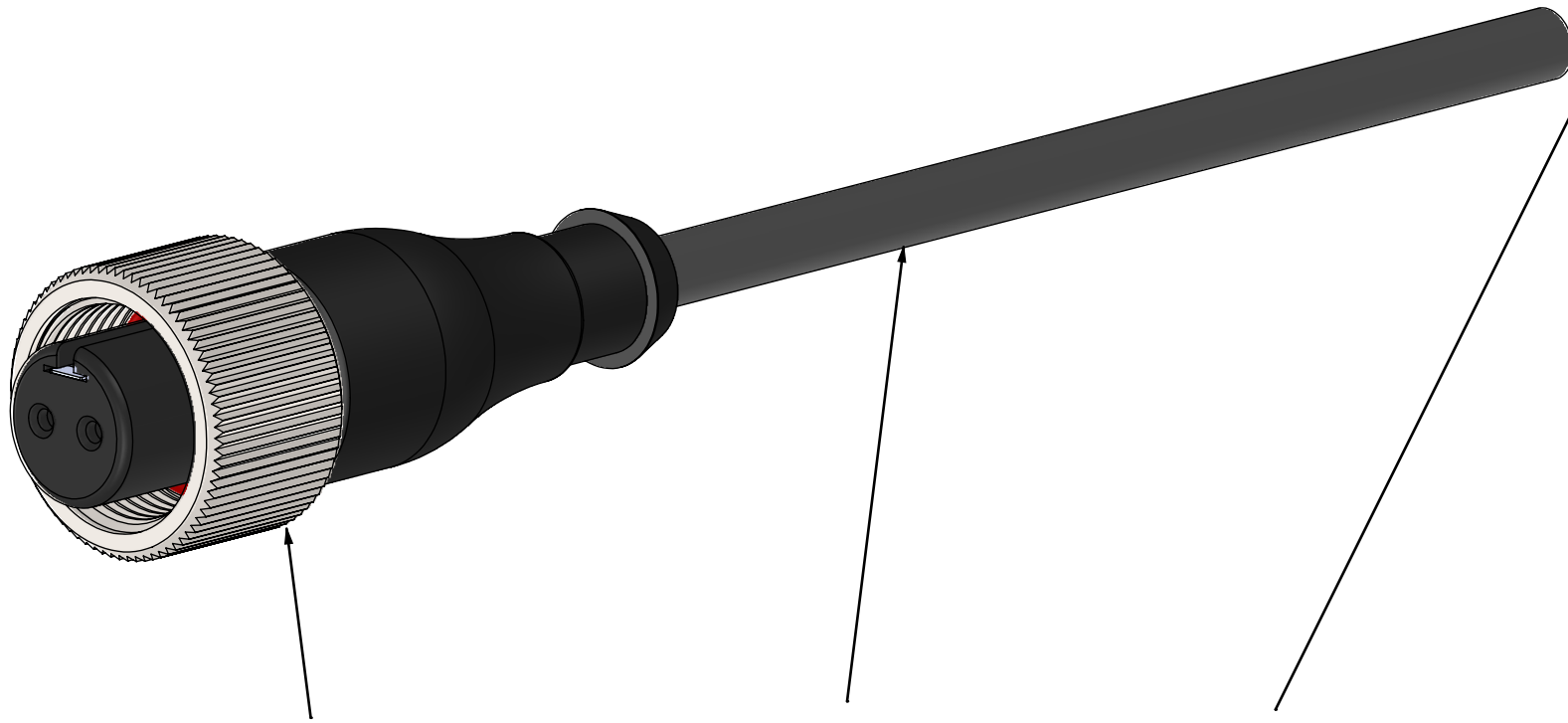
B

C

C

D

D



Cable end 1

Cable

Cable end 2

30.01 - XXX -
 5(CC - DD) -
 XXXXXX -
 (EE)
Length
Customer modification

VibraSens	Size: A4H	Rev:A
	FSCM :----	⊕
PNR, Drawing N°		Scale
30.01-XXX-5(CC-DD)-XXXXXX(EE)		Sheet
		2:1 3/3

This drawing is confidential and is the property of VibraSens. Reproduction or manufacturing rights granted by written permission only.

1

2

3

4