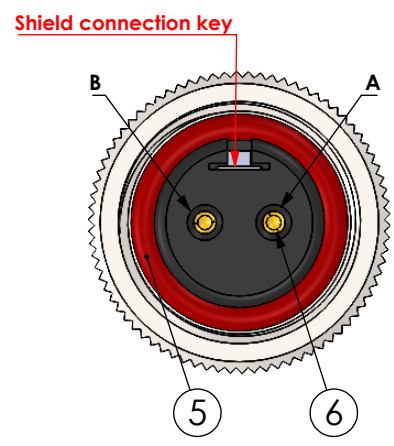
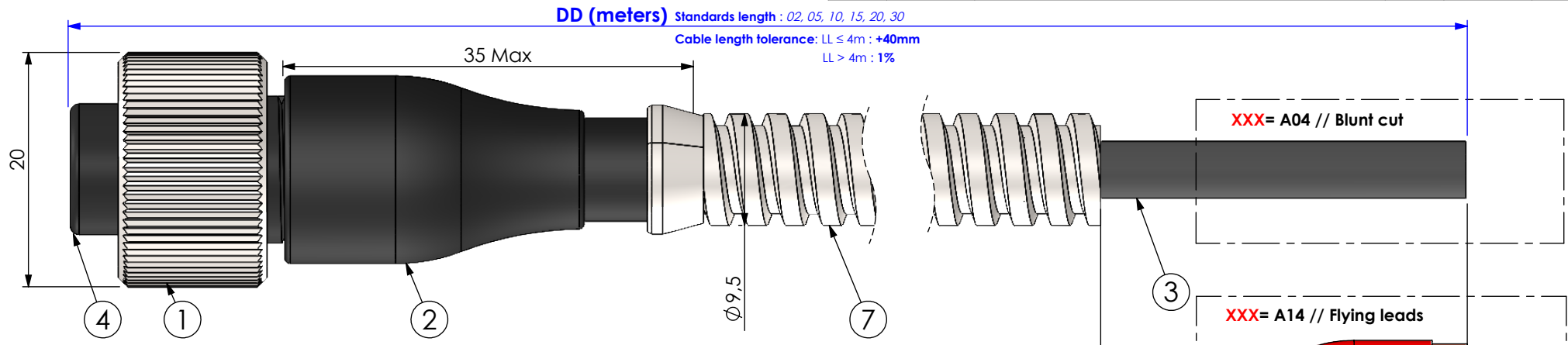


Rev	Date	Description	ECO	Drawn.	App.
A	31/03/2022	Released	XXXX	K.N.	A.B.

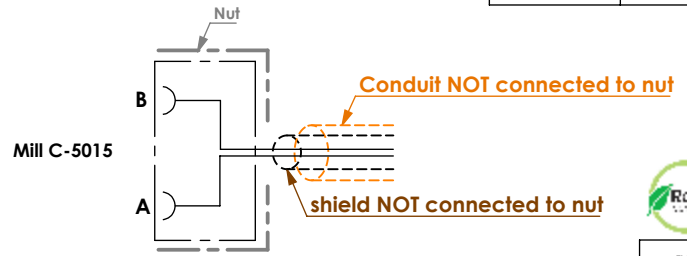


Item N°	Description	Material	Temp (°C)
1	Nut	STAINLESS STEEL AISI 316L, V4A	
2	IP67 Overmold	TPU, UL94 , black	max 90°C
3	Cable	See table	
4	contact carrier 2-pin	PA66 30% GLASS FILLED	120°C
5	O-ring	Neoprene (CR)	120°C
6	Signal contact	Cu-Zn, Gold Flash	
7	Conduit	Stainless steel AISI 304	

Technical specification:

- Connector : MIL C 5015 10SL-4S
- IP rating : IP67
- Temperature range : -30 to + 90°C
- Current rating : 4 A at 40°C
- Testing voltage : core/core : 2 kV AC
core/ braid : 1.5 kV AC
- Mating cycle : ≥ 500
- Mounting torque : 0.6 N.m
- Weight : ≈ 60 kg/km

Wiring diagram



VibraSens Size: A4H Rev:A
FSCM : - - -

Overmolded MIL-C-5015 10SL-4S cable
- 2 pins // Conduit // shield connected or not

PNR, Drawing N°	Scale	Sheet
30.04-XXX_8(C-C-DD)_XXXXXX(E)	2:1	1/3

This drawing is confidential and is the property of Vibrasens. Reproduction or manufacturing rights granted by written permission only.

ROHS REACH CE

1

2

3

4

A

A

B

B

C

C

D

D

XXX	Shield connected to nut	8(CC-DD)	Cable	Contact assignment	Applications	Popular	(EE)***
II1	✓	8(01-DD)	- Polyurethane cable // Twisted pair shielded // Max temp = 90° // Ø4.8 (± 0.2mm) // 2x 0.5mm ²	A: Red (+) B: White (-)	VibraSens IEPE & 4-20 mA sensors		
II2						✓	
II1	✓	8(02-DD)	-Teflon FEP cable//Twisted pair shielded// max temp = 200°// Ø4.7 (± 0.2mm) // 2x 0.5mm ²	A: Red (+) B: White (-)	VibraSens IEPE & 4-20 mA sensors		
II2							
IJ1	✓	8(03-DD)	-@RADOX * cable // Twisted pair shielded // Max temp = 120° // Ø4.3 (± 0.2mm) // Halogen Free **// Flame retardant//2x 0.5mm ²	A: White (2) (+) B: White (1) (-)	VibraSens IEPE & 4-20 mA sensors		
IJ2							
IK1	✓	8(07-DD)	- PVC cable // ATEX application // Flame retardant acc. to IEC 60332-1-2 Max temp = 80° //Blue RAL 5015 // Ø5.1 (± 0.1mm)	A: Black (2) (+) B: Black (1) (-)	VibraSens IEPE & 4-20 mA sensors		
IK2							

* : @RADOX is a trademark from Huber & Suhner
 ** : "Halogen Free" according to IEC 61249-2-21standard
 *** : For customer with special specifications

Compatibility with old reference :
 10.01-A04-B24-06-DD = 30.04-II2-8(06-DD)-A04

VibraSens

Size: A4H

Rev:A

FSCM :-:-:-



This drawing is confidential and is the property of Vibrasens. Reproduction or manufacturing rights granted by written permission only.

PNR, Drawing N°
 30.04-XXX_8(CC-DD)_XXXXXX(EE)

Scale
 2:1

Sheet
 2/3

1

2

3

4

1

2

3

4

A

A

B

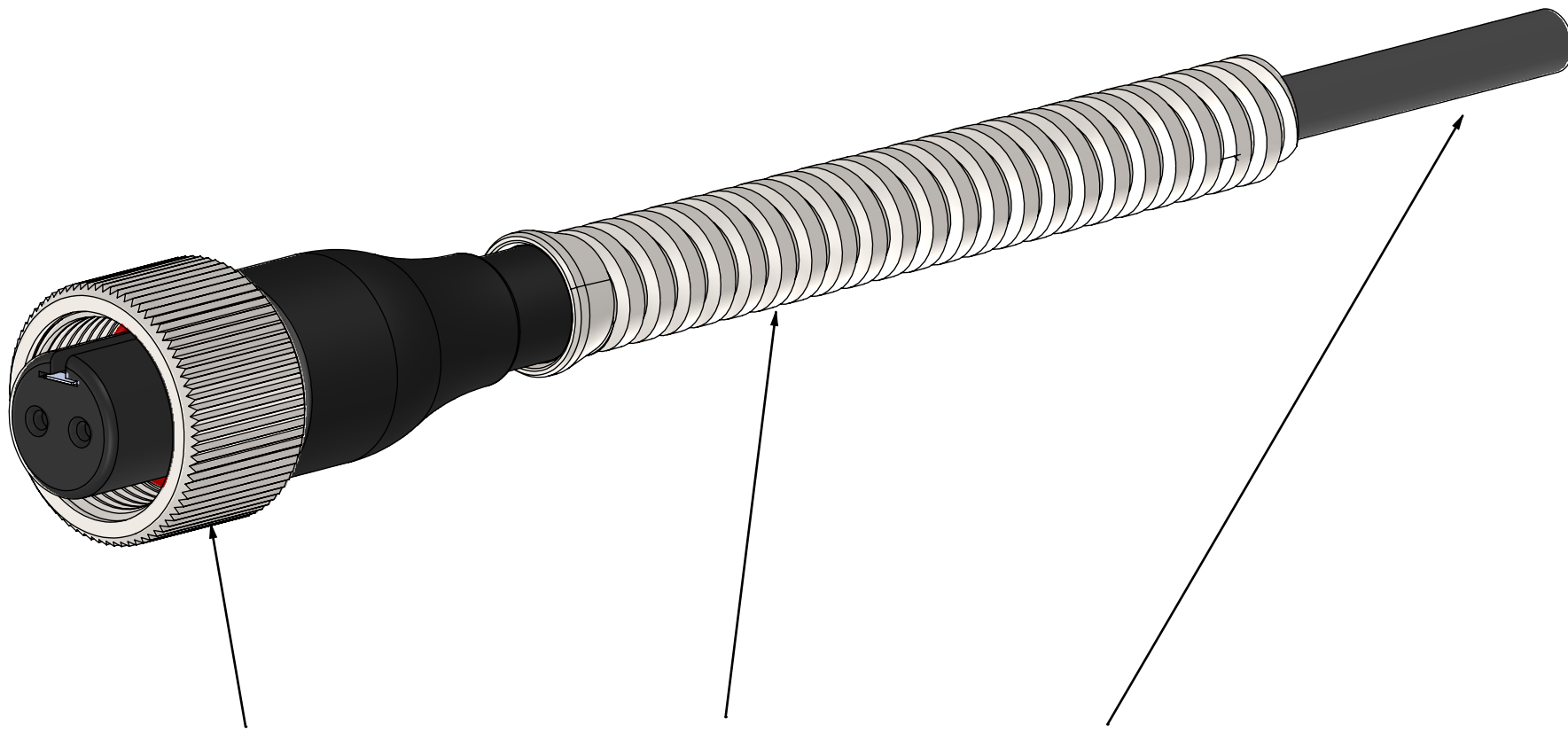
B

C

C

D

D



Cable end 1

Cable

Cable end 2

30.04 - XXX

8(CC - DD)
Length

XXXXXX - (EE)
Customer modification

General Tolerances : ISO 2768 fH
 Break sharp edges 0.05 to 0.1
 Ra $\sqrt{0.8}$ all machined surfaces

VibraSens

Size: A4H Rev:A

FSCM : - - - -

This drawing is confidential and is the property of VibraSens. Reproduction or manufacturing rights granted by written permission only.

PNR, Drawing N°
 30.04-XXX_8(CC-DD)_XXXXXX(EE)

Scale Sheet
 2:1 3/3

1

2

3

4