

1

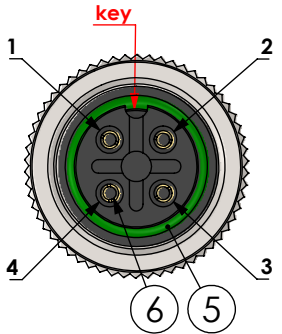
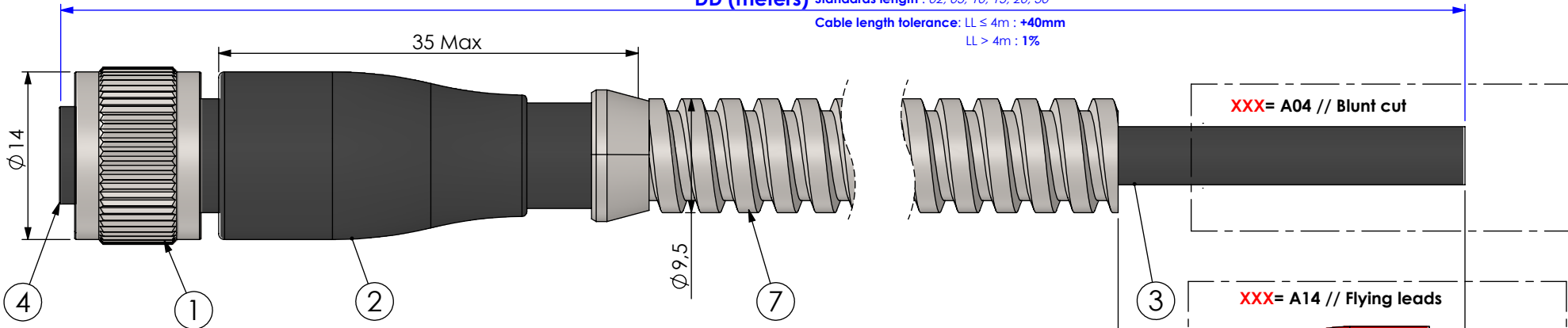
2

3

4

Rev	Date	Description	ECO	Drawn.	App.
A	30/03/2021	Released	XXXX	K.N.	A.B.

DD (meters) Standards length : 02, 05, 10, 15, 20, 30  
 Cable length tolerance: LL ≤ 4m : +40mm  
 LL > 4m : 1%

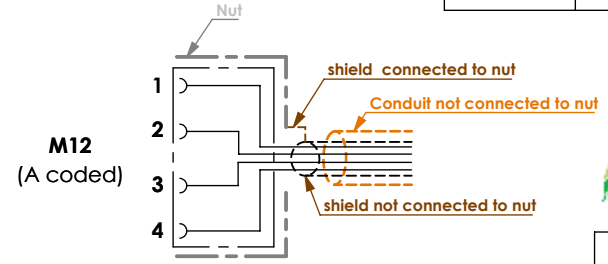


Item N°	Description	Material	Temp (°C)
1	Nut, M12 X 1	Stainless steel AISI 316L, V4A	
2	IP67 Overmold	TPU, UL94 , black	max 90°C
3	Cable	See table	
4	contact carrier 2-pin	PA66 30% Glass filled	120°C
5	O-ring	Neoprene (CR)	120°C
6	Signal contact	Cu-Zn, Gold Flash	
7	Conduit	Stainless Steel AISI 304	

**Technical specification:**

- Connector : M12 Female A coded
- IP rating : IP67
- Temperature range : -30 to + 90°C
- Current rating : 4 A at 40°C
- Testing voltage : core/core : 2 kV AC  
core/ braid : 1.5 kV AC
- Mating cycle : ≥ 500
- Mounting torque : 0.6 N.m
- Weight : ≈ 60 kg/km

**Wiring diagram**



**VibraSens** Size: A4H Rev:A  
 FSCM : - - - -

**Overmolded M12 Female A coded cable - 4 pins // Conduit // shield connected or not**

PNR, Drawing N° 20.04-XXX\_8(C:C-DD)\_XXXXXX(EE) Scale 2:1 Sheet 1/3



This drawing is confidential and is the property of Vibrasens. Reproduction or manufacturing rights granted by written permission only.

1			2		3		4	
XXX	Shield connected to nut	8(CC-DD)	Cable	Contact assignment		Applications	Popular	(EE)***
A	II1	8(01-DD)	- Polyurethane cable // Twisted pair shielded // Max temp = 90°C // Ø4.8 (± 0.2mm) // 2x 0.5mm <sup>2</sup>	1: No wire	2: No wire	VibraSens IEPE sensors	✓	
	II2			3: White (-)	4: Red (+)			
	AA1			1: Red (+)	2: White (-)			
	AA2			3: No wire	4: No wire			
B	II1	8(02-DD)	-Teflon FEP cable//Twisted pair shielded// max temp = 200°C// Ø4.7 (± 0.2mm) // 2x 0.5mm <sup>2</sup>	1: No wire	2: No wire	VibraSens IEPE sensors		
	II2			3: White (-)	4: Red (+)			
	AA1			1: Red (+)	2: White (-)			
	AA2			3: No wire	4: No wire			
C	IJ1	8(03-DD)	- @RADOX * cable // Twisted pair shielded // Max temp = 120° C// Ø4.3 (± 0.2mm) // Halogen Free **// Flame retardant//2x 0.5mm <sup>2</sup>	1: No wire	2: No wire	VibraSens IEPE sensors		
	IJ2			3: White (1) (-)	4: White (2) (+)			
	AB1			1: White (1) (+)	2: White (2) (-)			
	AB2			3: No wire	4: No wire			
D	IK1	8(07-DD)	- PVC cable // ATEX application // Flame retardant acc. to IEC 60332-1-2 Max temp = 80° //Blue RAL 5015 // Ø5.1 (± 0.1mm)	1: No wire	2: No wire	VibraSens IEPE sensors		
	IK2			3: Black (1) (-)	4: Black (2) (+)			
	AC1			1: Black (1) (+)	2: Black (2) (-)			
	AC2			3: No wire	4: No wire			
E	IT1	8(11-DD)	- Polyurethane cable // Twisted triple shielded // Max temp = 90°C // Ø4.2 (± 0.2mm) // 3x 0.5mm <sup>2</sup>	1: No wire	2: Black (temp)	VibraSens IEPE + temperature sensors		
	IT2			3: White (-)	4: Red (+)			
	AD1			1: Red (+)	2: White (-)			
	AD2			3: No wire	4: Black (DA/DV)			
F	IT1	8(17-DD)	- UL Polyurethane cable // Twisted triple shielded // Max temp = 90°C // Ø2.5 (± 0.1mm) // 3x AWG28	1: No wire	2: Brown (temp)	VibraSens IEPE + temperature sensors		
	IT2			3: Blue (-)	4: Black (+)			
	AD1			1: Black (+)	2: Blue (-)			
	AD2			3: No wire	4: Brown (DA/DV)			
G	IT1	8(12-DD)	-Teflon FEP cable//Twisted triple shielded// max temp = 200°C// Ø4.7 (± 0.2mm) // 3x 0.5mm <sup>2</sup>	1: No wire	2: Black (temp)	VibraSens IEPE + temperature sensors		
	IT2			3: White (-)	4: Red (+)			
	AD1			1: Red (+)	2: White (-)			
	AD2			3: No wire	4: Black (DA/DV)			
H	IU1	8(13-DD)	- @RADOX * cable // Twisted triple shielded // Max temp = 120° C// Ø4.3 (± 0.2mm) // Halogen Free **// Flame retardant//3x 0.5mm <sup>2</sup>	1: No wire	2: White (3) (temp)	VibraSens IEPE + temperature sensors		
	IU2			3: White (1) (-)	4: White (2) (+)			
	AE1			1: White (1) (+)	2: White (2) (-)			
	AE2			3: No wire	4: White (3) (DA/DV)			
I	E01	8(31-DD)	- Polyurethane cable // shielded 4 conductors // Max temp = 90°C // Ø5.4 (± 0.2mm) // 4x 0.34mm <sup>2</sup>	1: Brown	2: White	All applications	✓	
	E02			3: Blue	4: Black			
J	IP1	8(56-DD)	- @RADOX * cable // Coaxial // Max temp =105°C // Ø1.84 (± 0.07mm) // Halogen free // Flame retardant //	1: No wire	2: No wire	VibraSens IEPE sensors		
	AH1			3: Shield (-)	4: Conductor(+)			
				1: Conductor (+)	2: Shield (-)	VibraSens 4-20 mA sensors		
				3: No wire	4: No wire			

\* :@RADOX is a trademark from Huber & Suhner  
 \*\* : "Halogen Free" according to IEC 61249-2-21standard  
 \*\*\* : For customer with special specifications

Compatibility with old reference :  
 10.01-A04-E04-31-DD = 20.04-E01\_8(31-DD)\_A04

**VibraSens**

Size: A4H Rev:A

FSCM :- - - -

This drawing is confidential and is the property of Vibrasens. Reproduction or manufacturing rights granted by written permission only.

PNR, Drawing N°  
 20.04-XXX\_8(CC-DD)\_XXXXXX(EE)

Scale 2:1 Sheet 2/3

1

2

3

4

A

A

B

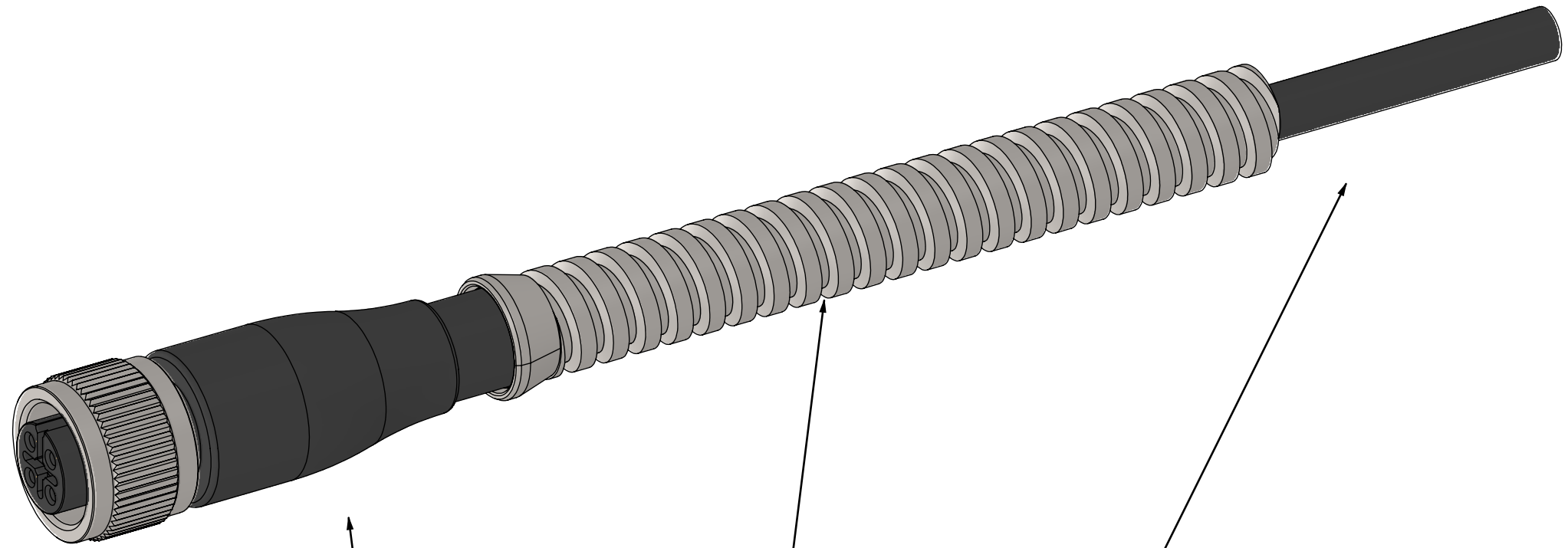
B

C

C

D

D



Cable end 1

**31.04 - XXX**

Cable

**8(CC - DD)**  
Length

Cable end 2

**XXXXXX - (EE)**  
Customer modification

<b>VibraSens</b>	Size: A4H	Rev:A
	FSCM :----	
PNR, Drawing N° <b>20.04-XXX_8(CC-DD)_XXXXXX(EE)</b>		Scale 2:1
		Sheet 3/3

This drawing is confidential and is the property of Vibrasens. Reproduction or manufacturing rights granted by written permission only.